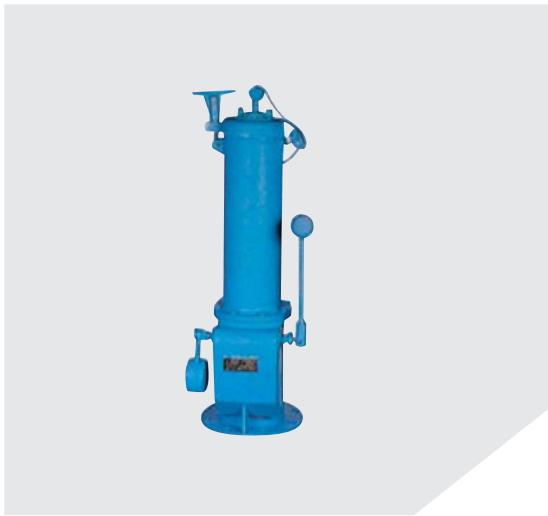


SLOT DIPPING, SAMPLING AND GAUGE HATCH COVER

KSSDS TYPE SLOT DIPPING & SAMPLING DEVICES



GENERAL DESCRIPTION

The KSSDS Series Sampling Device is designed for gauging the height of liquid levels, measuring the depth of water bottoms, taking temperature, and taking sample of liquids held in storage tank, without relieving pressure within the tank.

It avoids the loss of valuable vapors, and exposing the gauger to excessive fumes.

Quick opening valve unit is opened and closed simply by moving a lever through a 90° arc.

The valves have an aluminium body and an aluminium pallet. The pallet is fitted with an O-ring that assures tight sealing.

A by-pass is provided to equalize in the tank and sampling chamber unit, if this should be necessary for easy opening.

The window in the top cover of the gauging unit can be provided with an inside wiper, to insure clear vision of the gauge taper, and to permit the taking of accurate reading.

■ INSTALLATION ■

1. Mount the KSSDS Series Sampling Device on a 4", 6", 8" flange roof nozzle.
2. Attach the gauging bob or sampling bottle to the swivel snap inside the sampling chamber unit.
3. Check the distance from the bottom of the bob to a point above the snap on the tape to make certain a correct reading is obtained.

■ OPERATION ■

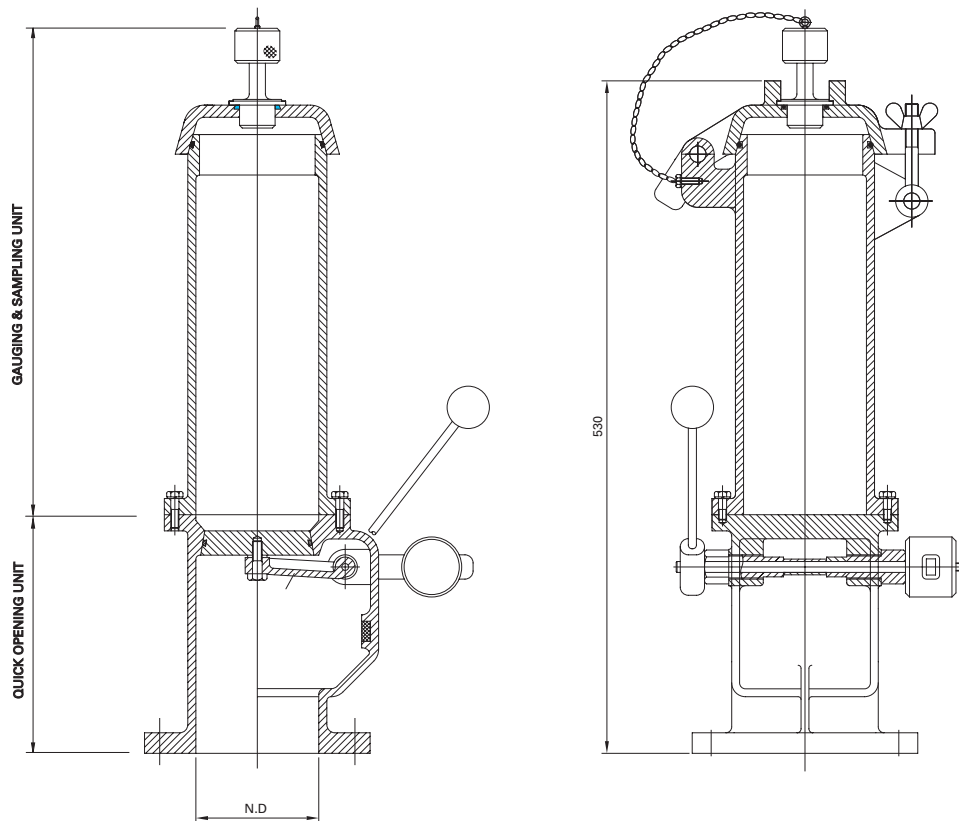
KSSDS Series Sampling Unit can be used for :

- 1) Gauging the depth of the product.
- 2) Taking a sample at any level.
- 3) Measuring the depth of water bottom.
- 4) Measuring the product temperature.

GAUGE HATCH Section 4.3

SLOT DIPPING, SAMPLING AND GAUGE HATCH COVER

KSSDS TYPE SLOT DIPPING & SAMPLING DEVICES



Materials of Construction

TYPE		KSSDS-4		KSSDS-6		KSSDS-8		
FIELD CON'N SIZE		N.D 4" (100A)		N.D 6" (150A)		N.D 8" (200A)		
BODY MATERIAL	GAUGING UNIT	ALUMINIUM		ALUMINIUM		ALUMINIUM		
	SAMPLING UNIT	ALUMINIUM		ALUMINIUM		ALUMINIUM		
	QUICK OPENING UNIT	ALUMINIUM OR CARBON STEEL						
SCALE TAPE	MAT'L	SUS 304 OR STEEL						
	LENGTH	20M	30M	50M	100M	20M	30M	50M