

## EMERGENCY VENT COVER Section 3.4

### FREE VENT COVER

#### KSFQ/KSFR TYPE FREE VENT COVER



#### Operation and Feature

KSFQ and KSFR are built of corrosion resistant materials throughout.

A wire mesh screen prevent foreign matter from entering the tank or pipe opening.

Weather hoods are easily removable for inspection of vent and wire screen.

As with all UNITECH products, Free Vent Covers are factory inspected and tested to meet all critical requirements and special needs.

#### ■ Introduction ■

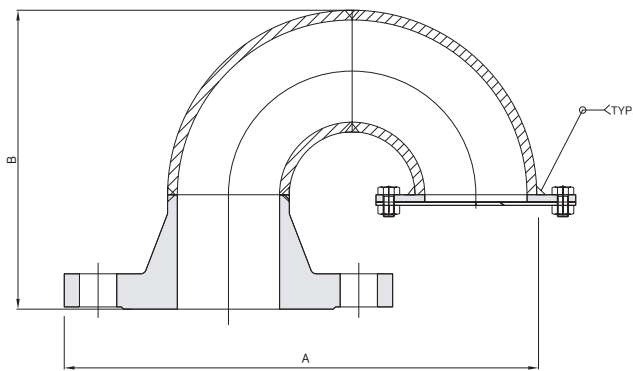
Free Vent Covers are designed to be used on tanks containing non-volatile liquids and on vent pipe extremities.

UNITECH Free Vent covers offer efficient flow capacity for the protection of the tanks.

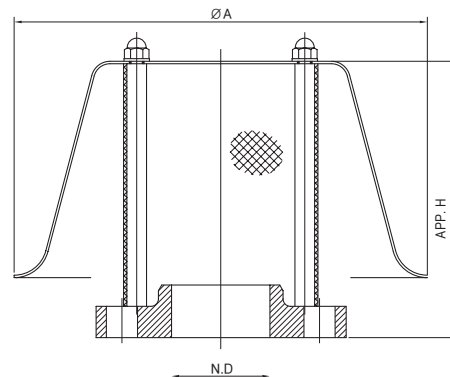
# EMERGENCY VENT COVER Section 3.4

## FREE VENT COVER

### KSFQ/KSFR TYPE FREE VENT COVER



**KSFQ Type**



**KSFR Type**

Dimension Table (KSFQ Type)										Unit = mm
SIZE	2"	3"	4"	6"	8"	10"	12"	14"	16"	18"
DN	50	80	100	150	200	250	300	350	400	460
A	264	375	483	689	899	1111	1327	1519	1729	1525
B	170	229	286	402	516	610	733	741	817	1135
C	252	330	360	440	500	580	695	810	945	1080
D	150	170	195	225	256	280	335	375	400	420

Material : Carbon steel, Stainless steel and other material

Dimension Table (KSFR Type)								Unit = mm
SIZE	2"	3"	4"	6"	8"	10"	12"	
N.D	50	80	100	150	200	250	300	
ØA	252	330	350	440	500	580	620	
APP.	185	200	210	250	280	300	335	